

PRODUCT INFORMATION PACKET



Model No: M4K17DC23A
Catalog No: E100019.00
..1/2HP..1725RPM.S56.DP.115/230V.1PH.60HZ.CONT.40C.1.25SF.ROUND.....GENERAL
PURPOSE.MANUAL.....
Open Drip Proof (ODP)



Regal and Leeson are trademarks of Regal Beloit Corporation or one of its affiliated companies.

©2018 Regal Beloit Corporation, All Rights Reserved. MC017097E





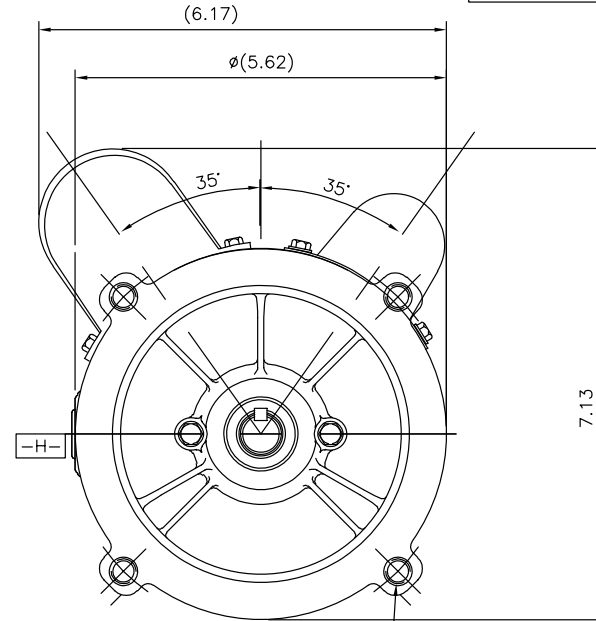
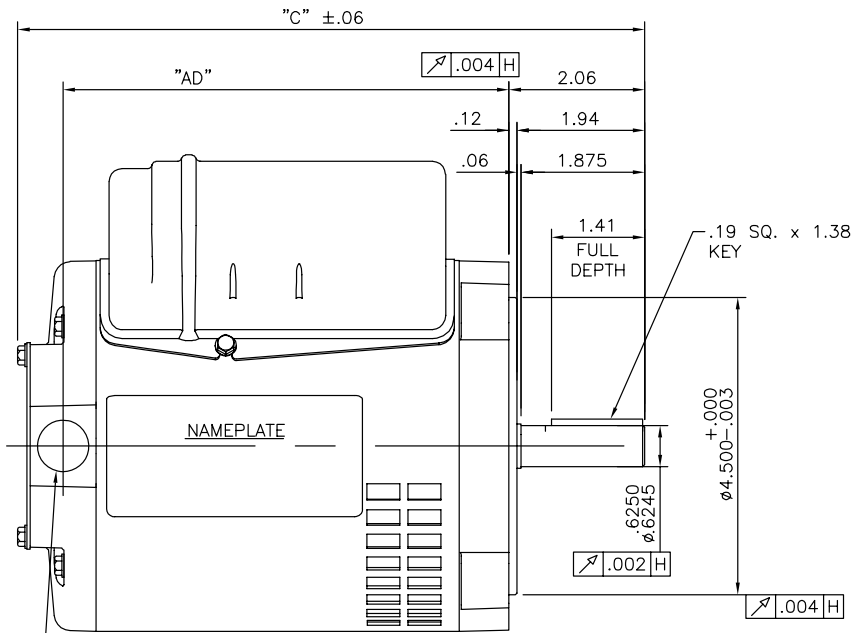
Nameplate Specifications

Output HP	0.50 Hp	Output KW	0.37 kW
Frequency	60 Hz	Voltage	115/230 V
Current	4.6/2.3 A	Speed	1745 rpm
Service Factor	1.25	Phase	1
Efficiency	76.2 %	Duty	Continuous
Insulation Class	B	Design Code	N
KVA Code	K	Frame	S56C
Enclosure	Drip Proof	Overload Protector	Manual
Ambient Temperature	40 °C	Drive End Bearing Size	6203
Opp Drive End Bearing Size	6203	UL	Recognized
CSA	Y	CE	Y
IP Code	12		

Technical Specifications

Electrical Type	Capacitor Start Capacitor Run	Starting Method	Across The Line
Poles	4	Rotation	Selective Counterclockwise
Mounting	Round	Motor Orientation	HORIZONTAL
Drive End Bearing	BALL	Opp Drive End Bearing	BALL
Frame Material	Rolled Steel	Shaft Type	NEMA 56
Overall Length	11.49 in	Frame Length	7.50 in
Shaft Diameter	0.625 in	Shaft Extension	1.88 in
Assembly/Box Mounting	F1 ONLY		
Outline Drawing	A-SS404121-750	Connection Diagram	005053.40

SS404121



1/2-14 NPT
CONDUIT HOLE
(PLUGGED)

DASH NO.	"C"	"AD"
550	9.49	6.75
575	9.74	7.00
600	9.99	7.25
625	10.24	7.50
650	10.49	7.75
675	10.74	8.00
700	10.99	8.25
725	11.24	8.50
750	11.49	8.75

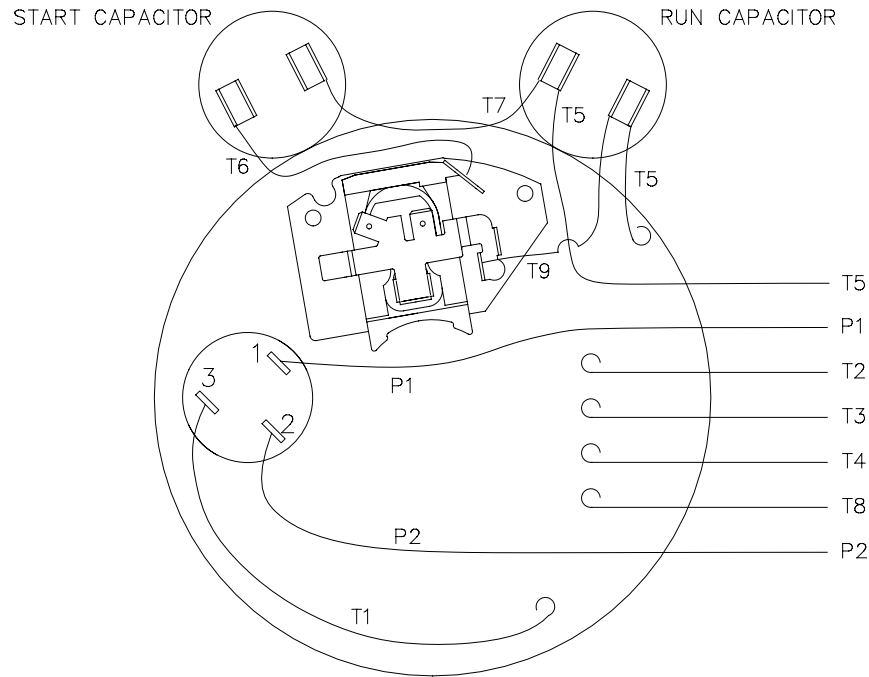
3/8-16 UNC 2B TAP x .56 DEEP
(4) REQ'D. ON A ø5.875 B.C.

		TOLERANCES UNLESS SPECIFIED		DRAWN SM 12/03/2014	
		DEC.	INCHES	CHK SM 12/03/2014	
		.X	±.1	APPD	
		.XX	±.03	SCALE NTS	
		.XXX	±.005	REF SS404120	
A	CREATED NEW DRAWING	SM	12/03/2014	SM	.XXXX ±.0005
NO.	REVISION	BY & DATE	CHK	ANG	±7'30"
THIS DRAWING IN DESIGN AND DETAIL IS OUR PROPERTY AND MUST NOT BE USED EXCEPT IN CONNECTION WITH OUR WORK ALL RIGHTS OF DESIGN AND INVENTION ARE RESERVED THIS IS AN ELECTRONICALLY GENERATED DOCUMENT - DO NOT SCALE THIS PRINT				RFP	CAD FILE SS404121
				DIST	WP
		SIZE	DRAWING NO.	PAGE	1 OF 1
		A	SS404121	REV.	A

REGAL™ Regal Beloit America, Inc.

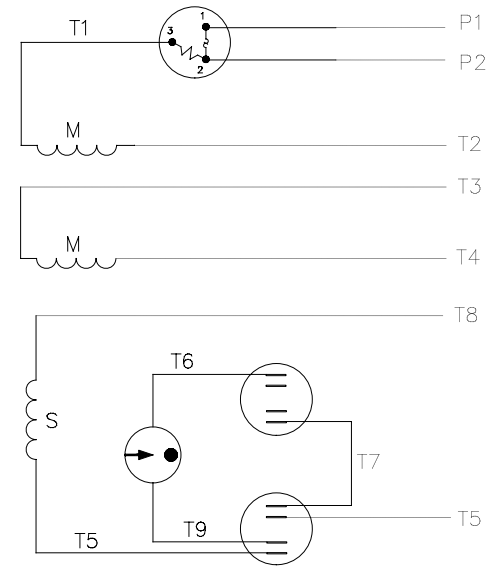
TITLE OUTLINE
S56 FRAME ROUND MOUNT - DRIP PROOF

005053-40



VIEW FROM OUTSIDE OF MOTOR AT SWITCH END

LINE LEADS



	ROTATION FACING LEAD END	L1	L2	JOIN	INSULATE SEPARATE
HIGH VOLT	C.C.W.	P1	T4, T5	T2, T3 T8	P2
	C.W.	P1	T4, T8	T2, T3 T5	P2
LOW VOLT	C.C.W.	P1	T2, T4 T5	P2 T3, T8	---
	C.W.	P1	T2, T4 T8	P2 T3, T5	---

NO.	CHANGED	REVISION	BY & DATE	CHK	ANG	TOLERANCES UNLESS SPECIFIED	
						DEC.	INCHES
						.X	±.1
						.XX	±.01
						.XXX	±.005
A	CHANGED LOGO TO REGAL		PST 2/1/16	SKM	.XXXX	±.0005	
				CHK	ANG	±1/2°	

Regal Beloit America, Inc.

DRAWN PG 7/2/02	
CHK	
APPD	
TITLE	EXTERNAL WIRING DIAGRAM TYPE "K" W/PROTECTOR
SCALE	5=8
REF	005053.01
MAT'L.	DUAL VOLTAGE - DUAL ROTATION
FINISH	
RFP	CAD FILE 00505340
DIST	
SIZE	DRAWING NO. 005053-40
REV.	A

THIS DRAWING IN DESIGN AND DETAIL IS OUR PROPERTY AND MUST NOT BE USED EXCEPT IN CONNECTION WITH OUR WORK ALL RIGHTS OF DESIGN AND INVENTION ARE RESERVED THIS IS AN ELECTRONICALLY GENERATED DOCUMENT - DO NOT SCALE THIS PRINT

